



Apex Fluid Power Ltd.
 Unit 10, Millrace Road
 Willowholme Industrial Estate
 Carlisle, Cumbria
 CA2 5RS

sales@apexfluid.co.uk
 Tel: 01228 511 157
 Fax: 01228 512 245
www.apexfluid.co.uk

09/01/2015



THE **TOUGHEST** SWIVEL ON THE MARKET



Why choose Taimi swivels?

- Better wear resistance
- Withstand high pressure
- Better side load resistance
- Fewer hydraulic leaks
- Easy maintenance

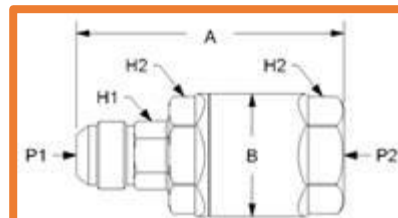
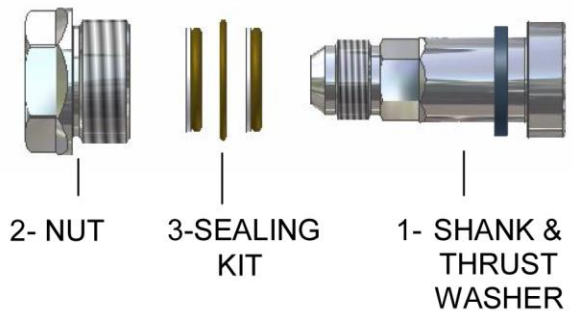
Taimi Swivels are the toughest out there. An independent lab test proved our years of field history results right: Taimi swivels will far outlast any other swivel on the market.

Available in:

INLINE and 90°

BSP ORFS JIC NPT

MALE and FEMALE combinations



SIZE	Thread Type	PART NUMBER	A	B
3/4" BSPP	MALE BSPP x FEMALE BSPP	SZ-P12M-P12F	3.81"	2.00"
1" BSPP	MALE BSPP x FEMALE BSPP	SZ-P16M-P16F	4.31"	2.22"
1.1/16" JIC	MALE JIC x FEMALE JIC	SZ-J12M-JB12F	4.12"	2.00"
1.5/16" JIC	MALE JIC x FEMALE JIC	SZ-J16M-JB16F	4.63"	2.22"
1.7/16" ORFS	MALE ORFS x FEMALE ORFS	SZ-S16M-S16F	4.38"	2.31"
1.11/16" ORFS	MALE ORFS x FEMALE ORFS	SZ-S20M-S20F	4.68"	2.75"

The above is only a cross-section list of the swivels available, **please contact us for full product guide**